

Choose Floor - Parchment/Chrome



IP20    

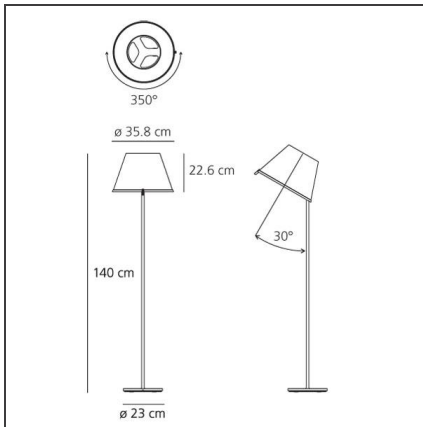
DESIGN BY

Matteo Thun

DESCRIPTION

Base in zamac, painted metal structure, adjustable diffuser in thermoformed material joined with parchment paper.

TECHNICAL DRAWINGS



FEATURES

Article Code:	1136120A	Material:	Polycarbonate, parchment paper, steel, zamak
Colour:	Parchment/Chrome	Series:	Design
Installation:	Table, Floor, Wall, Suspension	Area contract:	Hospitality
Environment:	Indoor	Emission:	Direct Spot

DIMENSIONS

Height:	cm 140	Glow Wire Test:	750
Base Diameter:	cm 23		

NOT INCLUDED SOURCES

Category:	HALO	Color Rendering:	2800K
Number:	2		
Watt:	57W		
Socket:	E27		

ALTERNATIVE SOURCES

Category:	LED
Number:	2
Watt:	8W
Type:	2
Socket:	E27
Class:	A

LUMINAIRE

Watt:	104W	Delivered lumens output (lm):	1640lm
Voltage:	220V-240V	CCT:	2800K