




# Callimaco LED 2700K



IP20   

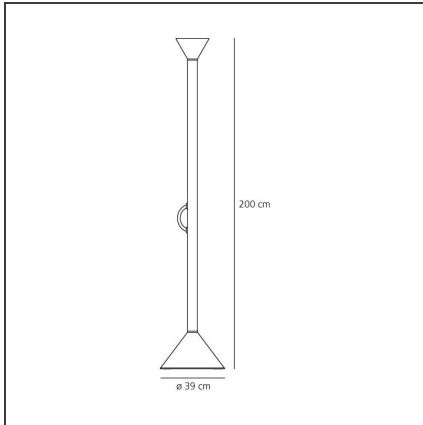
## DESIGN BY

Ettore Sottsass

## DESCRIPTION

Base and diffuser in painted steel, stem in painted aluminium, handle in polished chrome metal plate. Indirect light emission. Colour: multicolour.

## TECHNICAL DRAWINGS



## FEATURES

<b>Article Code:</b>	A0111W00	<b>Material:</b>	Aluminium, steel
<b>Colour:</b>	Multicolour	<b>Series:</b>	Design
<b>Installation:</b>	Floor	<b>Area contract:</b>	Residential
<b>Environment:</b>	Indoor	<b>Emission:</b>	Indirect

## DIMENSIONS

<b>Height:</b>	cm 200	<b>Glow Wire Test:</b>	650
----------------	--------	------------------------	-----

## INCLUDED SOURCES

<b>Category:</b>	LED	<b>Color temperature (K):</b>	2700K
<b>Number:</b>	1	<b>Color Tolerance:</b>	MacAdam 2SDCM
<b>Watt:</b>	36.36W	<b>CRI:</b>	90
<b>Delivered lumens output (lm):</b>	3646lm	<b>Efficacy:</b>	100lm/W
<b>Type:</b>	0	<b>Service Life:</b>	50000-L70
<b>Class:</b>	A		

## LUMINAIRE

<b>Watt:</b>	45W	<b>Delivered lumens output (lm):</b>	3225lm
<b>Voltage:</b>	220V-240V	<b>CCT:</b>	2700K
		<b>Efficiency:</b>	92%
		<b>Efficacy:</b>	71.67lm/W
		<b>CRI:</b>	90

## Notes

LED included, with dimmer.