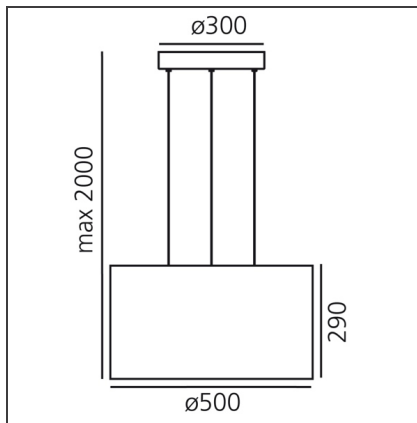


Tian Xia 500 LED



IP20    

TECHNICAL DRAWINGS



DESIGN BY

Carlotta de Bevilacqua

DESCRIPTION

Mirror-treated finish polished aluminium structure; thermoplastic resin diffuser with translucent film mirror-finish.

FEATURES

Article Code:	A246700	Material:	Aluminium, polycarbonate
Colour:	Polished aluminium	Series:	Design
Installation:	Suspension	Area contract:	Residential
Environment:	Indoor	Emission:	Diffused And Coloured,direct/indire

DIMENSIONS

Height:	cm 29
Base Diameter:	cm 30
Max Height from ceiling:	cm 200

INCLUDED SOURCES

Category:	LED		
Number:	1		
Watt:	33W		
Type:	3		
Class:	A		
Category:	LED	Color temperature (K):	3000K
Number:	1		
Watt:	37W		
Delivered lumens output (lm):	2500lm		
Type:	0		
Class:	A		
Category:	LED	Color temperature (K):	3000K
Number:	1		
Watt:	42W		
Delivered lumens output (lm):	2000lm		
Type:	0		
Class:	A		

LUMINAIRE

Power Supply:	Electronic Integrated	Delivered lumens output (lm):	2807lm + 3199lm
Watt:	42W + 37W + 33W	CCT:	3000K
Voltage:	220V-240V	Efficiency:	100%
Remote control:	Infrared	CRI:	90