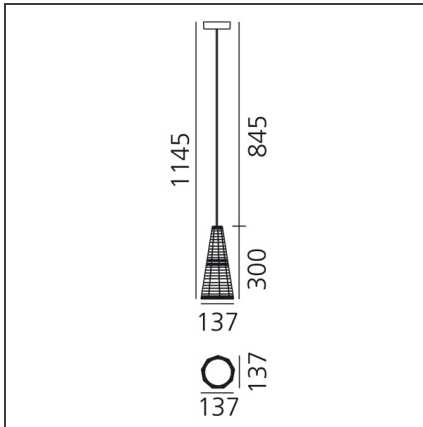


Null Vector Alfa - Aluminium grey



IP20 Dimmerable:

TECHNICAL DRAWINGS



DESIGN BY

Carlotta de Bevilacqua, Laura Pessoni

DESCRIPTION

Null Vector displays a full combination of optical and mechanical performance. The aluminium body is both a structural and an optical component for light emission control. The whole structure is generated from an escalating growth of an individual punching and cutting mould, designed in the two versions alfa and beta. This matrix is characterized by a punch pattern with three functions - luminous, perceptive, and mechanical. While, on one hand, it is the result of a well-calculated study of light emission in space, translated into a graphic element supporting perception, on the other it derives from surpassing the limits of the material's processing technology. The optical system with an energy-saving light source with E14 connection also includes a texturized glazed diffuser, which ensures uniform lighting. The multi-faceted punched structure generates a magic lighting effect evoking the product's simplicity and lightweight in all the available finishes.

FEATURES

Article Code:	0940080A	Material:	Aluminium, methacrylate
Colour:	Aluminium grey	Series:	Scenarios
Installation:	Suspension		

DIMENSIONS

Length:	cm 13.7	Glow Wire Test:	750°C
Height:	cm 30		
Depth:	cm 13.7		
Max Height from ceiling:	cm 114		

SOURCES NOT INCLUDED

Category:	LED	Color temperature (K):	3000K
Number:	1		
Watt:	6W		
Type:	2		
Socket:	E14		
Class:	A		

LUMINAIRE

Watt:	6W	Delivered lumens output (lm):	390lm
Voltage:	230V	CCT:	3000K
		Efficacy:	55,7lm/W