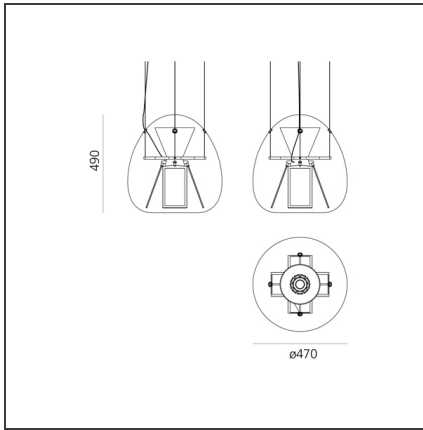


**Harry H. OLED**



IP20 

**TECHNICAL DRAWINGS**



**DESIGN BY**

Carlotta de Bevilacqua, Laura Pessoni

**DESCRIPTION**

The product is not yet available.

**FEATURES**

<b>Colour:</b>	Transparent	<b>Material:</b>	Aluminium, technopolymer, blown glass
<b>Installation:</b>	Suspension	<b>Series:</b>	Design, Light+Building 2018
<b>Environment:</b>	Indoor	<b>Emission:</b>	Diffused

**DIMENSIONS**

**Height:** cm 49

**INCLUDED SOURCES**

<b>Category:</b>	OLED
<b>Number:</b>	1
<b>Watt:</b>	28W
<b>Type:</b>	0
<b>Class:</b>	A
<b>Category:</b>	LED
<b>Number:</b>	1
<b>Watt:</b>	32W
<b>Type:</b>	0
<b>Class:</b>	A

**LUMINAIRE**

<b>Watt:</b>	33W + 37W	<b>Delivered lumens output (lm):</b>	1100lm + 3000lm
		<b>CCT:</b>	4000K
		<b>CRI:</b>	90