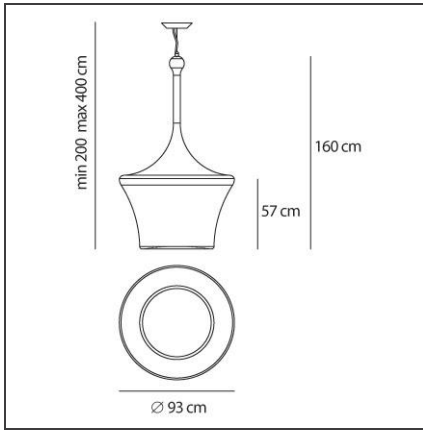


# Calenda



IP65  Dimmerable: 

## TECHNICAL DRAWINGS



## DESIGN BY

Italo Rota, Alessandro Pedretti

## DESCRIPTION

Suspension lamp. Rotatorially moulded polyethylene.

## FEATURES

<b>Article Code:</b>	1729010A	<b>Material:</b>	Technopolymer
<b>Colour:</b>	White	<b>Series:</b>	Scenarios
<b>Installation:</b>	Suspension	<b>Emission:</b>	Diffused
<b>Environment:</b>	Indoor		

## DIMENSIONS

<b>Height:</b>	cm 160	<b>Impact Resistance:</b>	IK10
<b>Max Height from ceiling:</b>	cm 400	<b>Glow Wire Test:</b>	650

## INCLUDED SOURCES

<b>Category:</b>	FLUO	<b>Color Rendering:</b>	85
<b>Number:</b>	4	<b>Color temperature (K):</b>	3000K
<b>Watt:</b>	55W		
<b>Lbs:</b>	TC-LEL(G11)		
<b>Socket:</b>	2G11		
<b>Duration (h):</b>	12000h		

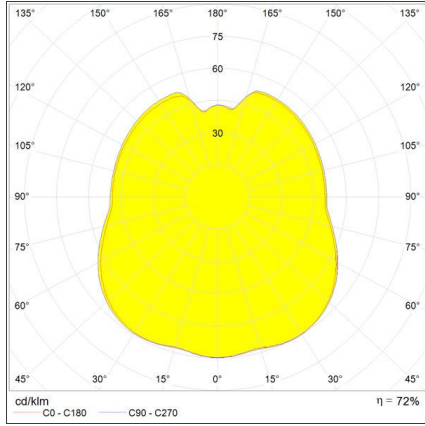
## INCLUDED SOURCES

<b>Category:</b>	LED	<b>Color Rendering:</b>	N/s
<b>Number:</b>	1	<b>Color temperature (K):</b>	BLUE
<b>Watt:</b>	3,5W	<b>Voltage:</b>	220v-240v
<b>Type:</b>	0		

## LUMINAIRE

<b>Power Supply:</b>	Electronic Integrated	<b>Delivered lumens output (lm):</b>	19200lm
<b>Watt:</b>	220W + 3,5W	<b>CCT:</b>	3000K
<b>Voltage:</b>	220V-240V		

**LIGHT DISTRIBUTION**



We reserve the right to change our product specifications.  
Please visit [www.artemide.com](http://www.artemide.com) for the latest product information

April 2018