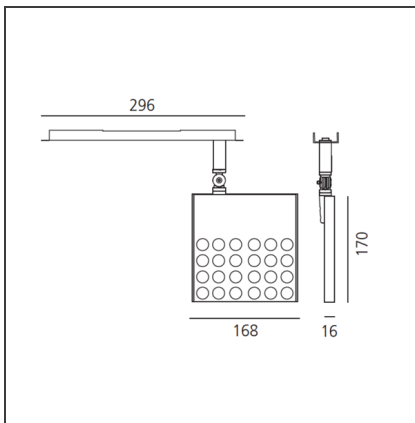


# Algoritmo System for Projectors - PAD Square - 29W 12° 3000K



IP40

## TECHNICAL DRAWINGS



## DESIGN BY

Carlotta de Bevilacqua, Paola di Arianello

## DESCRIPTION

An extension of the PAD (POÈME DE L'ANGLE DROIT) concept, PAD SQUARE houses an array of 24 LEDs (26W in total) placed on the aluminium body that acts as heat dissipator. The special, patented electrical system houses the power supply within the shell, and allows a direct connection to the electrical network. A translucent cover in polycarbonate closes off the body. It acts as a support for the various lenses, ensures protection for the electrical parts and provides a diffused lighting effect. Rotation of up to 358°, tilt angle of up to 180°. 4 installation options: with adaptor for 3-circuit track, with gear plate for mounting within Algoritmo product range, wall/ceiling mounted version, or base plate for semi-recessed mounting. Complies with EN60598-1 and other specific standards.

## FEATURES

|                      |                              |                       |   |
|----------------------|------------------------------|-----------------------|---|
| <b>Article Code:</b> | M201502                      | <b>Material:</b>      | Extruded aluminium, translucent                       |
| <b>Colour:</b>       | translucent/anodized         |                       | polycarbonate   |
| <b>Installation:</b> | Projector, Recessed, Ceiling | <b>Series:</b>        | Indoor  |
|                      |                              | <b>Area contract:</b> | Hospitality, null, null, Retail, Culture, Residential |
|                      |                              | <b>Emission:</b>      | Accent lighting                                       |

## DIMENSIONS

|                     |          |                        |     |
|---------------------|----------|------------------------|-----|
| <b>Length:</b>      | cm 16.8  | <b>Glow Wire Test:</b> | 650 |
| <b>Width:</b>       | cm 1.6   |                        |     |
| <b>Height:</b>      | cm 25.4  |                        |     |
| <b>Weight:</b>      | cm 1     |                        |     |
| <b>Inclination:</b> | cm 9,090 |                        |     |
| <b>Rotation:</b>    | 358°     |                        |     |
| <b>Depth:</b>       | cm 1.6   |                        |     |

## INCLUDED SOURCES

|                                      |        |                               |                 |
|--------------------------------------|--------|-------------------------------|-----------------|
| <b>Category:</b>                     | LED    | <b>Color temperature (K):</b> | 3000K           |
| <b>Number:</b>                       | 1      | <b>Color Tolerance:</b>       | 4SDCM           |
| <b>Watt:</b>                         | 24W    | <b>CRI:</b>                   | =80(typ.)       |
| <b>Delivered lumens output (lm):</b> | 1988lm | <b>Efficacy:</b>              | 83lm/W          |
| <b>Type:</b>                         | 0      | <b>Service Life:</b>          | L70(14K)>81600h |
| <b>Class:</b>                        | A      |                               |                 |

## LUMINAIRE

|                                  |                         |                                      |           |
|----------------------------------|-------------------------|--------------------------------------|-----------|
| <b>Transformer availability:</b> | Included (non dimmable) | <b>Delivered lumens output (lm):</b> | 1650lm    |
| <b>Watt:</b>                     | 29.0W                   | <b>CCT:</b>                          | 3000K     |
| <b>Voltage:</b>                  | 230-240V                | <b>Efficiency:</b>                   | 100%      |
|                                  |                         | <b>Efficacy:</b>                     | 56.90lm/W |
|                                  |                         | <b>CRI:</b>                          | 0         |

**ACCESSORIES**

---

NO  
IMAGE  
AVAILABLE

Algoritmo System intermediate finishing connector (set of 2 pcs). To be used at the junction of modules with accent lighting and fluorescent or LED modules. Metal-grey paint finish. M217660

NO  
IMAGE  
AVAILABLE

ALGORTIMO - PAD for ALGORITMO - Blind panel. For closing the positions where no PAD projector is used. 1 piece required for each empty position. metal-grey M217760