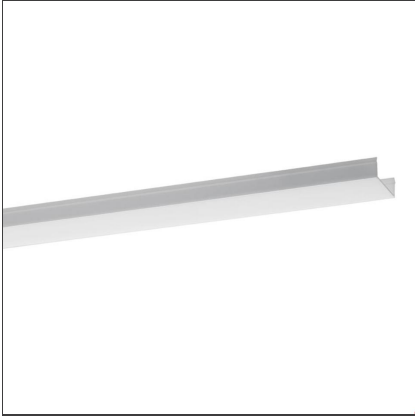


Algoritmo System - Diffused Emission - Optics - Opal diffuser in polycarbonate - 1184mm



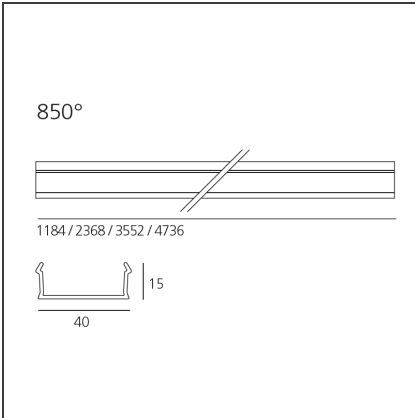
DESIGN BY

Carlotta de Bevilacqua, Paola di Arianello

DESCRIPTION

Opale diffuser in polycarbonate for LED diffused. To be clipped on the modules. Not suitable for FLUORESCENT version.

TECHNICAL DRAWINGS



FEATURES

Article Code:	M197400	Material:	Polycarbonate
Installation:	Recessed, Wall, Suspension, Ceiling	Series:	Indoor
Environment:	Indoor	Area contract:	All projects
		Emission:	Fluo - Diffused - Wall Washer - Dark Light

DIMENSIONS

Length:	cm 118	Glow Wire Test:	850
Width:	cm 4		
Height:	cm 1.5		
Weight:	cm 0.1		

ACCESSORIES

ALGORITMO
SYSTEM DIFFUSER
- Cover for 90°
angles on the
same plane. To be
clipped on the
angle. For
connection with
modules for
MONOCHROMATIC/RGB
LED diffused.
M198100



ALGORITMO
SYSTEM DIFFUSER
- Cover for 90°
angles on 2
perpendicular
planes. To be
clipped on the
angle. For
connection with
modules for
MONOCHROMATIC/RGB
LED diffused.
M198500