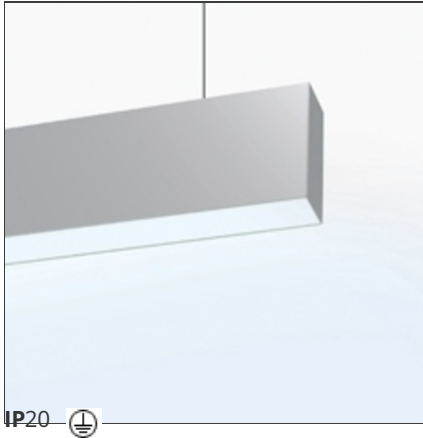


**Algoritmo Stand-Alone - Suspension - LED diffused emission - Direct emission - 34W 3000K Non dimmable - White**



IP20

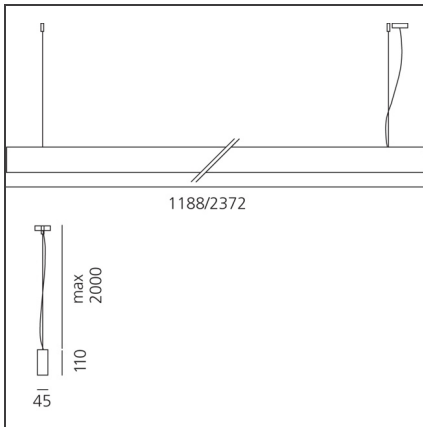
**DESIGN BY**

Carlotta de Bevilacqua, Paola di Arianello

**DESCRIPTION**

Series of single units, preconfigured and complete for suspension-mounting, wall-mounting and ceiling-mounting. Body in extruded aluminium, painted white or gloss anodised. Two lengths available: 1188 mm and 2372mm. T16-seamless fluorescent version with opal diffuser or dark light optic. Power supply: electronic or dimmable electronic with 'multiwatt' control gear 28/54 W DALI/SwitchDim. LED version direct emission, diffused, controlled or prismoptic: LED monochromatic warm white (3000 K) and neutral white (4000 K), or RGB LED (only diffused). Power supply and light management system included, non dimmable or Dali-SwitchDim. Suspended version direct or double emission (indirect fluo). Luminaires come complete with end caps, fixing brackets or suspension cables and optics. T16-Seamless tubes to be ordered separately. Compliant with standard EN60598-1 and other specific standards.

**TECHNICAL DRAWINGS**



**FEATURES**

<b>Article Code:</b>	M2910W20	<b>Material:</b>	Extruded Aluminium
<b>Colour:</b>	White	<b>Series:</b>	Indoor
<b>Installation:</b>	Suspension	<b>Emission:</b>	Direct/indirect
<b>Environment:</b>	Indoor		Diffused & Dark Light

**DIMENSIONS**

<b>Length:</b>	cm 118
<b>Width:</b>	cm 4.5
<b>Height:</b>	cm 11
<b>Weight:</b>	cm 3.8

**INCLUDED SOURCES**

<b>Category:</b>	LED	<b>Color temperature (K):</b>	3000 K
<b>Number:</b>	1		
<b>Watt:</b>	32 W		
<b>Type:</b>	0		
<b>Class:</b>	A		

**LUMINAIRE**

<b>Watt:</b>	34W	<b>Delivered lumens output (lm):</b>	1794lm
		<b>CCT:</b>	3000K
		<b>CRI:</b>	80